

PRESSURE REGULATORS

Stainless steel

TCR 6X "PHARMA" SERIES



FROM 1/4" TO 1 1/2"

OIL & GAS



Pressure Regulators for LIQUIDS and GASES made of stainless steel 316 L, designed and manufactured for Pharmaceutical industries and Biotechnological applications.

Control system with convolved membrane for best stability and precision. Balanced poppet-valve (shutter) to keep outlet pressure almost constant and independent from inlet pressure fluctuations.

DESIGN FOR CIP AND SIP CYCLES.

- Pharmaceutical industry;
- Chemical industry;
- Oil & gas and Off Shore applications
- Food industry

APPLICATIONS:

- Pharmaceutical industry;
- Chemical industry;
- Oil & gas and Off Shore applications
- Food industry

FEATURES:

- Particular attention to the low level surface roughness, to grant high cleaning standard;
- Compatible for use in aggressive environments;
- Suitable for extreme temperatures (-60°C), critical environments, hazardous applications;
- Suitable to be cleaned and sanitized by the most common processes;

MATERIALS

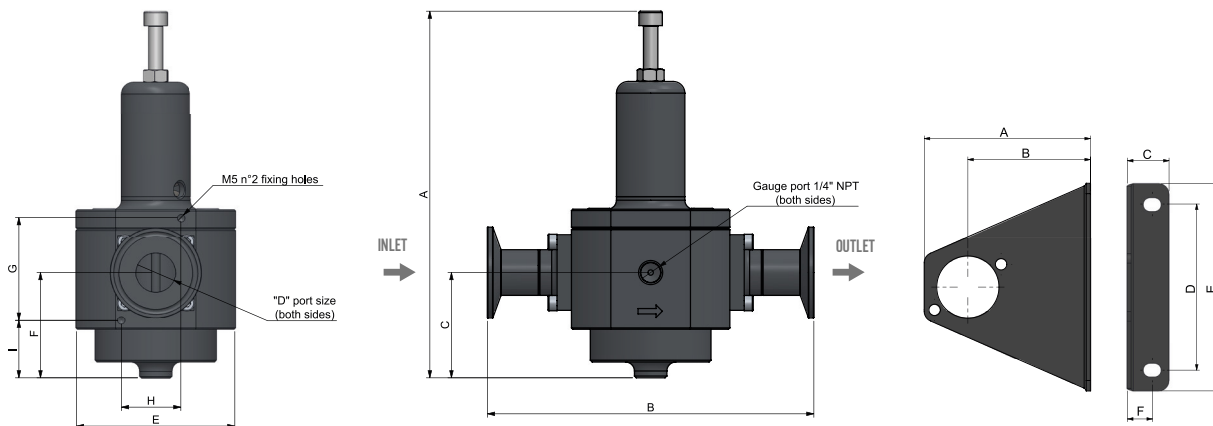
Body, bonnet	316L stainless steel (14404)
Seals	EPDM - Silicone - VITON
Diaphragm	EPDM - FKM - Silicone
Internal parts	316L stainless steel (14404)
Shutter	EPDM - Silicone

TECHNICAL DATA

	SERIES II 1/2" - 3/4"	SERIES III 3/4" - 1" - 1 1/2"
Port thread	TC ASME BPE – TC DIN32676 – ISO1127-1 In linea/Inline pattern	
P. max Inlet	60 Bar – 870 psi (50 bar Temp>80°C) Optional version TCR7 70 BAR	
Range outlet pressure	0.3-3 / 0.5-8 / 0.5-17.2 Bar 44-44 / 7.2-116 / 7.2-250 psi	
Roughness	≤0,5µm (optional)	
Soft Seat leaking rate	ANSI Classe VI	
Flow rate*	290 Nm3/h – 4800 dm3/min	
Kv*	Kv = 2.12 Nm3/h (EN 60534)	
Weight	240kg (1/2"-3/4") - 3.7kg(1"-1.1/2")	
Working temp.	- 60°C to +230°C Silicone	
Conformity to Directives	2014/34/EU ATEX - ASTM A182 Nace MR0.175 - 2014/68/EU PED	

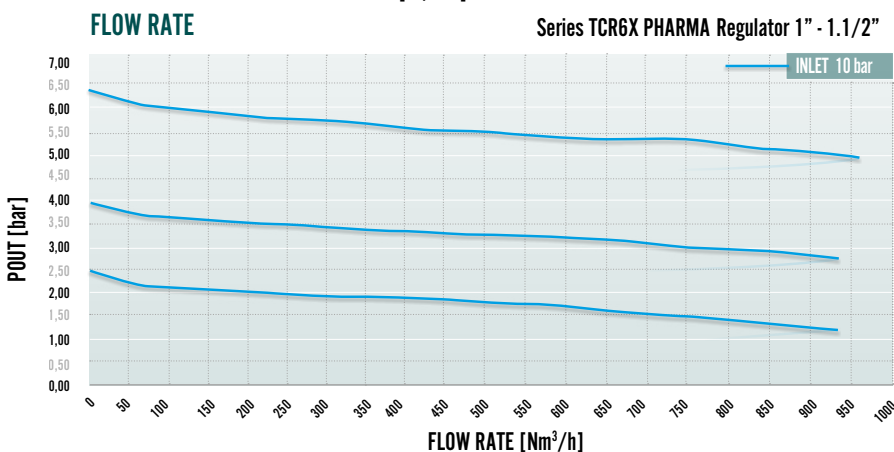
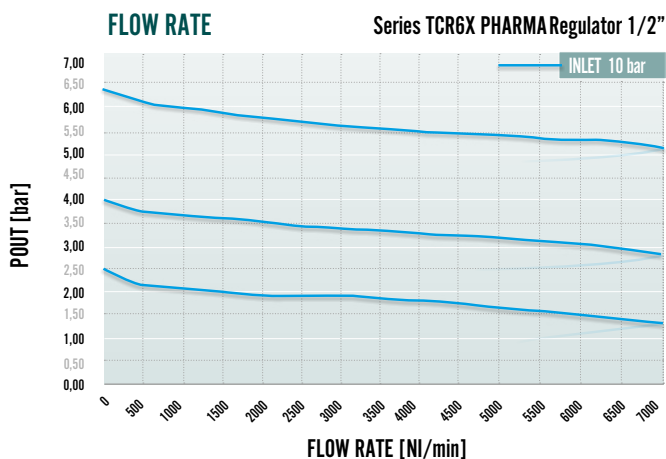
*) P_{IN} 10bar, P_{OUT} 6.3bar, ΔP 1bar

Stainless steel



SIZE	A	B	C	D	E	F	G	H	I
1/2"-3/4"	166	125,5	43	1/2"-3/4"	68	43	22	32	32
1"-3/4"	204	181,4	59	3/4"-1"	88	59	57	33	32
1.1/2"	204	145,4	59	1.1/2"	88	59	57	33	32

SIZE	A	B	C	D	E	F
1/2"-3/4"	80	59	20	80	100	12
3/4"-1"-1.1/2"	88	59	20	80	100	12



OPTIONALS :

- Bracket • Oring Kalrez® • Self relieving for Air • TRICLAMP ISO1127-1 DIN32676 • Threaded connection for exhausting gas on bonnet • Dome loaded execution • ATEX Release • Anodized Aluminum Knob